

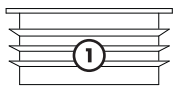
STUDOR® P.A.P.A.™

Positive Air Pressure Attenuator

The **P.A.P.A.™** is a device used to eliminate the harmful effects of positive transients generated in gravity fed systems in multi-storey buildings

Installation of the P.A.P.A.™

The **P.A.P.A.™** is provided with a rubber connector on the base and with a separate O-ring and male thread adapter to allow greater versatility.



Rubber connector



O-ring

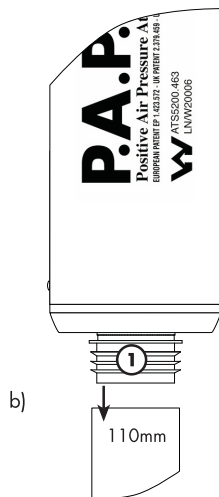
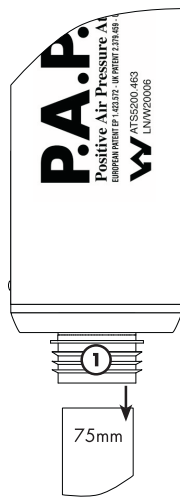


Male thread adapter

I) Installation of the **P.A.P.A.™** with the rubber connector:



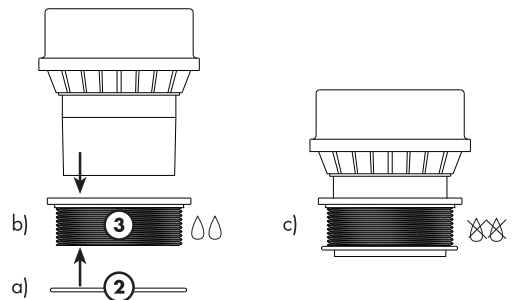
a) ensure the rubber connector is securely fitted to the base of the **P.A.P.A.™**;



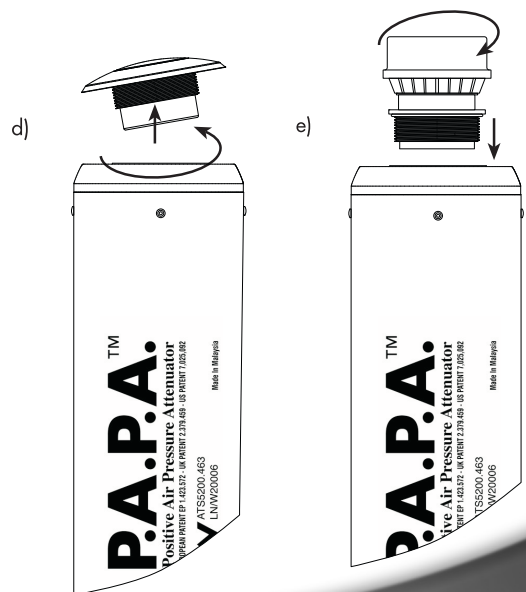
b) push-fit the rubber connector fitted to the base of the **P.A.P.A.™** onto a 75mm or into a 110mm pipe connection.

II) Installation of a **Maxi-Vent™** on top of the **P.A.P.A.™**:

- fit O-ring to the male thread adapter;
- fit the male thread adapter to the base of the **Maxi-Vent™** and glue into place sparingly using ABS solvent;
- wipe away any excess solvent to ensure this does not get into the **Maxi-Vent™**, as this will affect its operation;



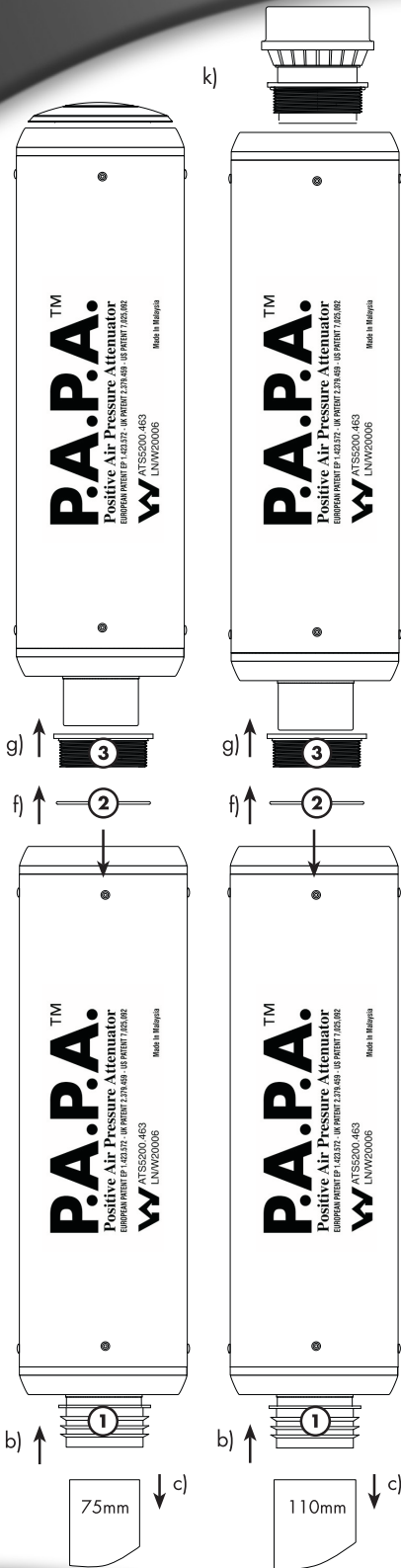
- unscrew the cap on the top of the **P.A.P.A.™**;
- when the solvent has fully dried, screw the male thread adapter fitted to the base of the **Maxi-Vent™** into the top of the **P.A.P.A.™**.



STUDOR®
INVENTIVE TECHNOLOGY
SINCE 1975

STUDOR® P.A.P.A.™

Positive Air Pressure Attenuator

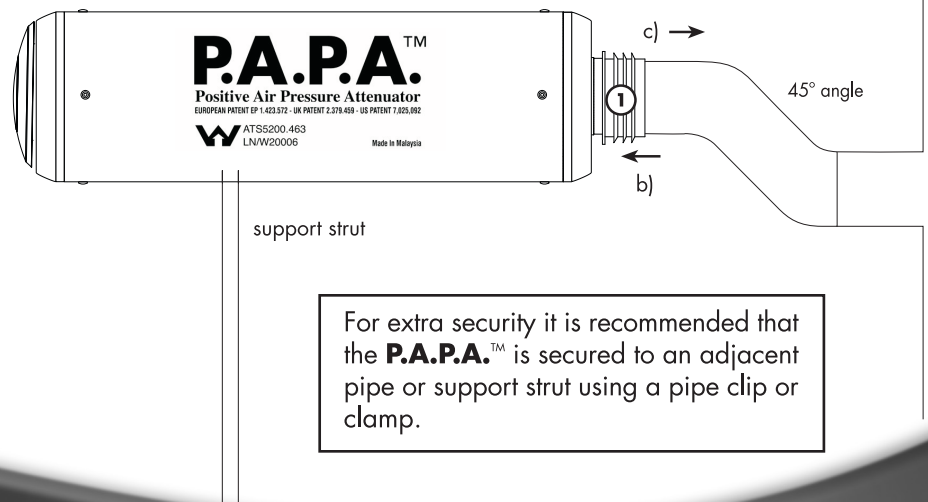


III) Installation of the P.A.P.A.™ in series:

- a) up to four **P.A.P.A.™**s may be installed in series;
- b) ensure the rubber connector is securely fitted to the base of the bottom-most **P.A.P.A.™**;
- c) push-fit the rubber connector fitted to the base of this **P.A.P.A.™** onto a 75mm or into a 110mm pipe connection;
- d) unscrew the cap on the top of this **P.A.P.A.™**;
- e) remove the rubber connector fitted to the base of the next **P.A.P.A.™** to be installed;
- f) fit O-ring to the male thread adapter;
- g) fit the male thread adapter to the base of this **P.A.P.A.™** and glue into place sparingly using ABS solvent;
- h) wipe away any excess solvent;
- i) when the solvent has fully dried, screw the male thread adapter fitted to the base of this **P.A.P.A.™** into the top of the bottom-most **P.A.P.A.™**;
- j) repeat steps d) to i) up to a **MAXIMUM** of four **P.A.P.A.™**s;
- k) ensure the cap of the top **P.A.P.A.™** is securely screwed in, or replace with a **Maxi-Vent™** as described in II) overleaf.

IV) Installation of the P.A.P.A.™ horizontally:

- a) when a **Maxi-Vent™** is NOT used the **P.A.P.A.™** may be installed horizontally;
- b) ensure the rubber connector is securely fitted to the base of the **P.A.P.A.™**;
- c) push-fit the rubber connector fitted to the base of the **P.A.P.A.™** onto a 75mm or into a 110mm 'T' pipe connection into the stack using a 45 degree 'T' joint on the stack and a 45 degree bend to place the **P.A.P.A.™** into a horizontal position - this prevents water penetrating the unit.



For extra security it is recommended that the **P.A.P.A.™** is secured to an adjacent pipe or support strut using a pipe clip or clamp.