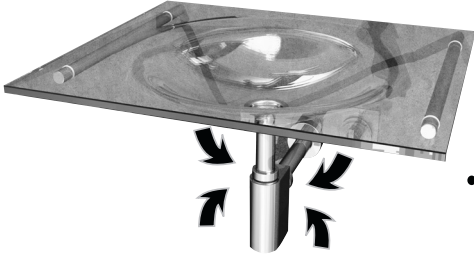
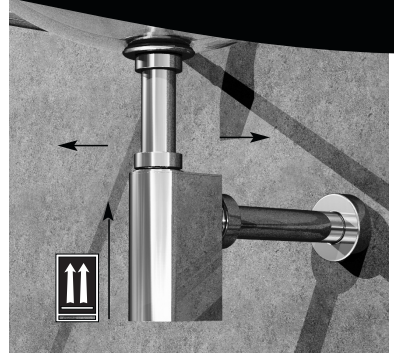


# STUDOR® TRAP-VENT™

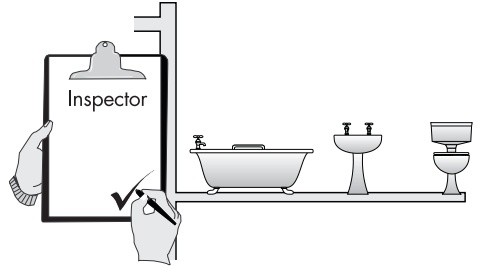
The **STUDOR® Trap-Vent™** must be:

- accessible and fitted vertically;

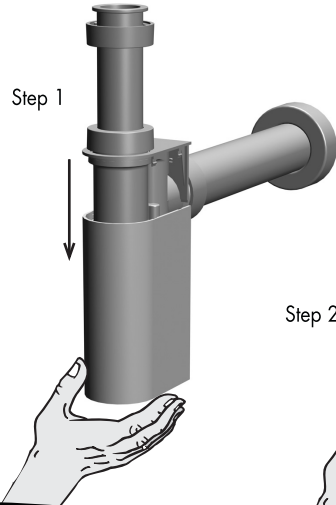


- fitted in a position which permits free movement of air to the air admittance valve;

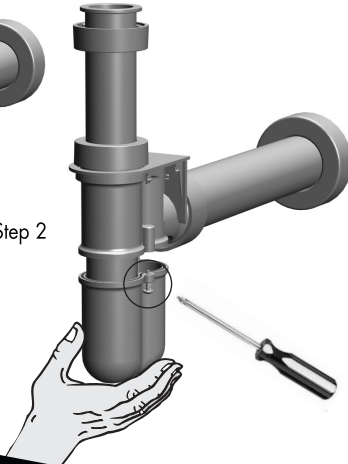
- installed after the drainage system has been tested;
- cleaned as necessary.



Step 1



Step 2



EN 12380



06

Studor Ventech Limited, Millennium House  
Victoria Road, Douglas, Isle of Man  
IM2 4RW, British Isles

Combined trap and valve to ventilate drainage systems

Designation: All

Airflow capacity: 1.5 l/s

Airtightness tested at: 30/500/10000 Pa

Range of temperature: 0°C to +60°C

Effectiveness at temperatures below zero: NPD

Pipe material in accordance with: EN1329-1,  
EN1451-1, EN4514, EN12056-1

