

STUDOR® TRAP-VENT™

Combined Air Admittance Valve & Trap for Plumbing Ventilation

Product Information/Specification Sheet

DESCRIPTION

The compact highly-styled Studor® Trap-Vent™ is a combined trap with a 50mm seal, and an integral AAV, reducing the need for secondary ventilating and replacing conventional S and P traps.

Designed to international standards, it is ideal for group venting and problem solving in existing buildings. The Trap-Vent is part of the Studor System which can vent an entire building without the need for conventional vents.

FEATURES

- Fits 32mm and 40mm pipes.
- Reduces the noise of the fixture discharge.
- Compact size.
- 50mm water seal.
- Architectural design.
- Extremely compact design, enabling installation where space is restricted.
- Available in polished and brushed chrome-plate finishes.*

INSTALLATION

- The Trap-Vent should be connected to the piping in accordance with Studor's installation instructions.
- Refer to your local area regulations for open vent requirements.

PIPE SET

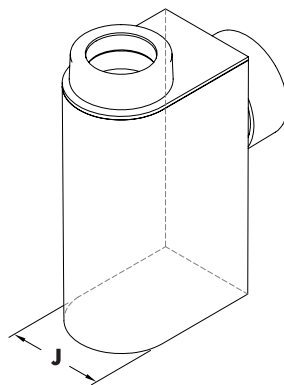
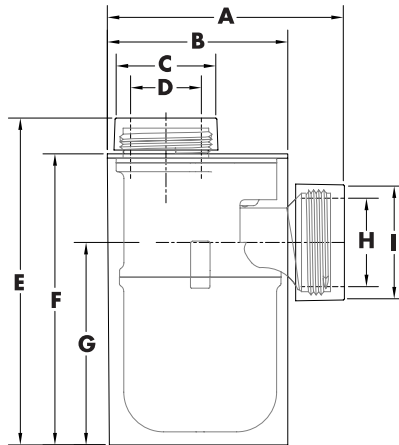
The Trap-Vent is supplied with a pipe set in the same finish as the product. This set comprises of:

- inlet pipe 32mm (1 1/4");
- outlet pipe available in two sizes: 32mm (1 1/4") and 40mm (1 1/2");
- connections: wall plate, nuts and washers.

PIPE SIZES

| Europe | AU/NZ | USA |
|----------|----------|-----------------|
| DN 32-40 | DN 32-40 | 1 1/4" - 1 1/2" |

(See reverse for drawing)



Trap-Vent

* Alternative shapes, colours/finishes and configurations available upon request for large volume customers.

WARRANTY

The Studor products have a lifetime warranty - equivalent to that of the drainage system in which they are installed.

DIMENSIONS

| Dimension | Metric (mm) | Imperial (inches) |
|-----------|-------------|-------------------|
| A | 107 | 4 3/16 |
| B | 82 | 3 4/16 |
| C | Ø45 | Ø 1 3/4 |
| D | DN 32 | 1 1/4 |
| E | 148 | 5 13/16 |
| F | 132 | 5 3/16 |
| G | 92 | 3 5/8 |
| H | DN 40 | 1 1/2 |
| I | Ø51 | Ø 2 |
| J | 54 | 2 1/8 |

Note: Dimensions for reference only

PERFORMANCE PARAMETER

| | |
|-----------------------------------|--|
| Temperature range | 0°C to +60°C (CE) +32°F to +150°F (ASSE) |
| Opening pressure | -60 Pa (-0.009 PSI) |
| Max. pressure rating tightness | 10,000 Pa (1m/40" H ₂ O) at 0 Pa or higher |

| Air flow capacity | Branch | Stack |
|-------------------|--------------|-------|
| Europe | 1 l/s | N/A |
| AU/NZ | 1 l/s / 6 FU | N/A |
| USA | 1 to 3 DFU | N/A |

MATERIALS

| Component | Material |
|--------------------|-------------------|
| Trap-Vent body | UV stabilized ABS |
| Trap-Vent membrane | Synthetic rubber |

EN 12380



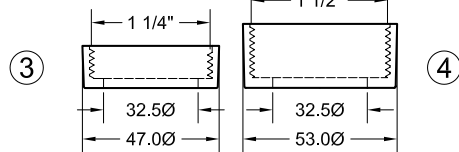
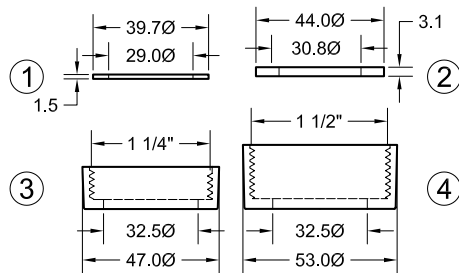
06

Studor Ventech Limited, Millennium House, Victoria Road
Douglas, Isle of Man IM2 4RW, British Isles

Combined trap and valve to ventilate drainage systems
Designation: All
Airflow capacity: 1 l/s
Airtightness tested at: 30/500/10000 Pa
Range of temperature: 0°C to +60°C
Effectiveness at temperatures below zero: NPD
Pipe material in accordance with: EN1329-1, EN1451-1, EN4514, EN12056-1

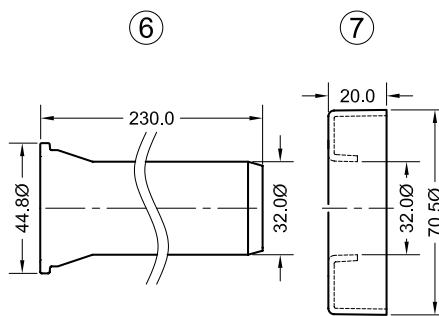
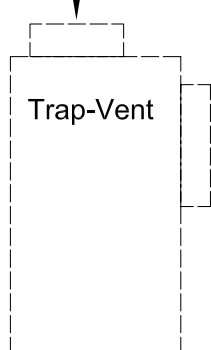
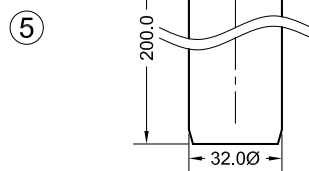
STUDOR® TRAP-VENT™

Combined Air Admittance Valve & Trap for Plumbing Ventilation

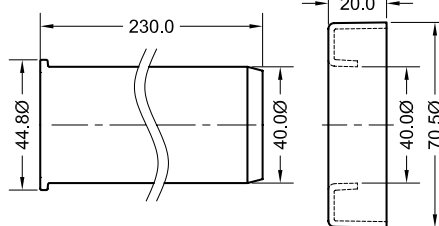


Components of the pipe set

| | |
|---------------------------|---------------|
| 32mm (1 1/4") Pipe Set | ① ② ③ ④ ⑤ ⑥ ⑦ |
| 40mm (1 1/2") Pipe Set | ① ② ③ ④ ⑤ ⑧ ⑨ |



32mm (1 1/4")
Outlet Pipe



40mm (1 1/2")
Outlet Pipe