

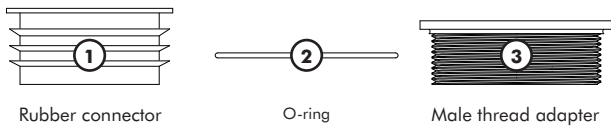
# STUDOR® P.A.P.A.™

## Positive Air Pressure Attenuator

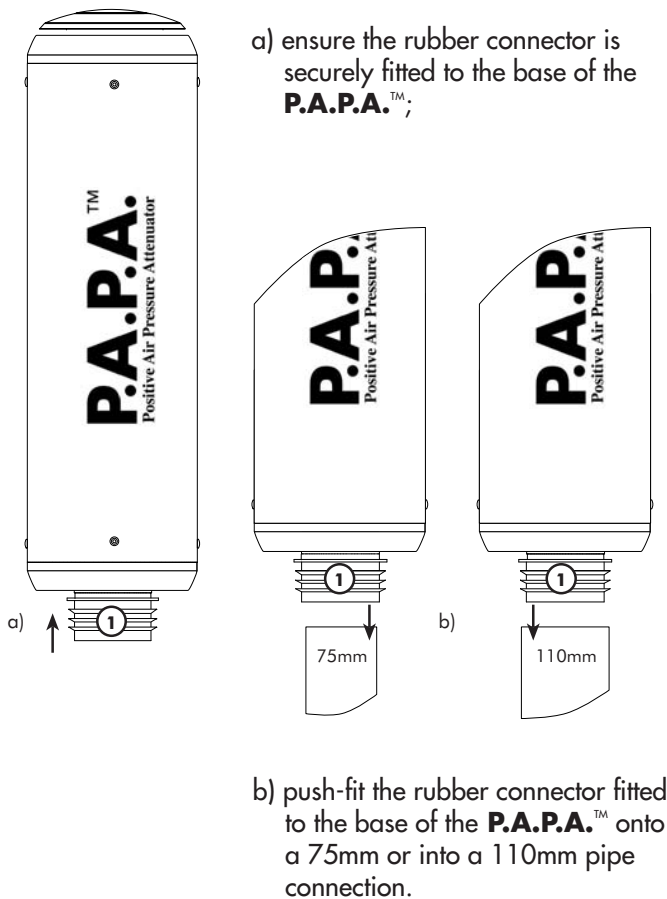
The **P.A.P.A.™** is a device used to eliminate the harmful effects of positive transients generated in gravity fed systems in multi-storey buildings

### Installation of the **P.A.P.A.™**

The **P.A.P.A.™** is provided with a rubber connector on the base and with a separate O-ring and male thread adapter to allow greater versatility.

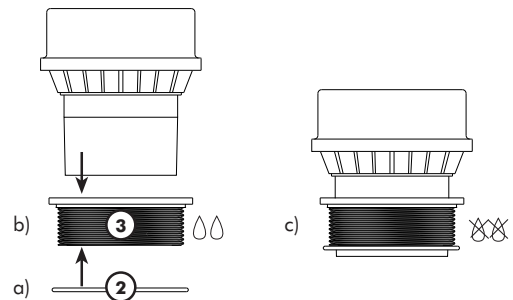


#### I) Installation of the **P.A.P.A.™** with the rubber connector:

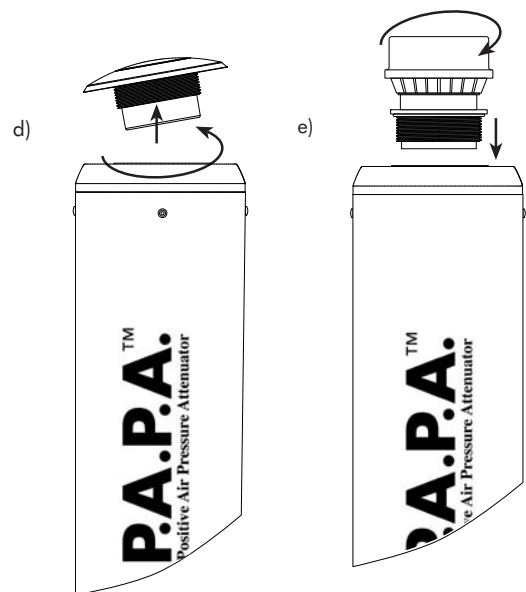


#### II) Installation of a **Maxi-Vent™** on top of the **P.A.P.A.™**:

- fit O-ring to the male thread adapter;
- fit the male thread adapter to the base of the **Maxi-Vent™** and glue into place sparingly using ABS solvent;
- wipe away any excess solvent to ensure this does not get into the **Maxi-Vent™**, as this will affect its operation;

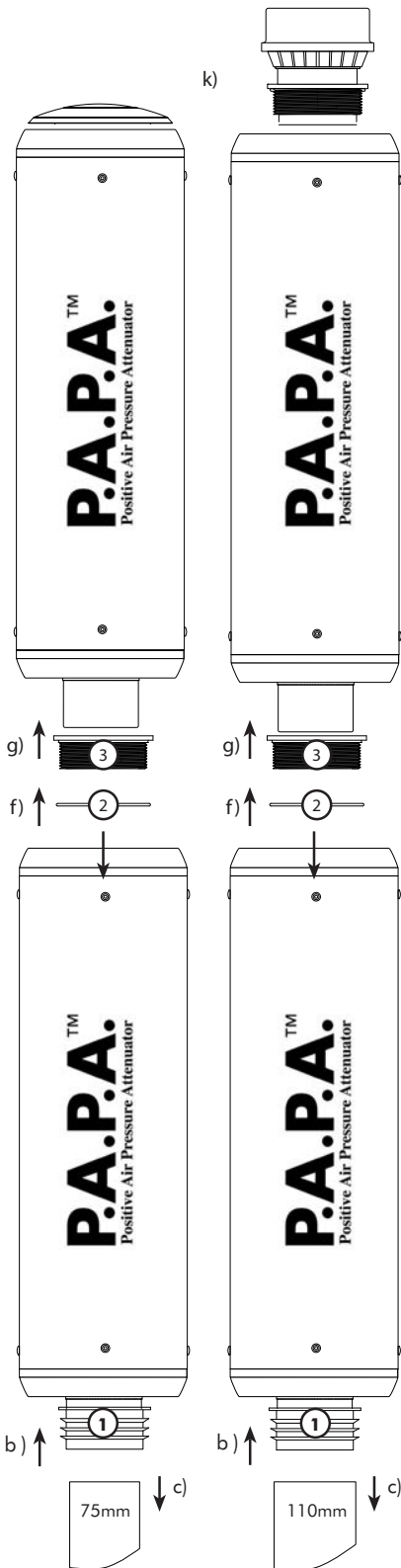


- unscrew the cap on the top of the **P.A.P.A.™**;
- when the solvent has fully dried, screw the male thread adapter fitted to the base of the **Maxi-Vent™** into the top of the **P.A.P.A.™**



# STUDOR® P.A.P.A.™

## Positive Air Pressure Attenuator

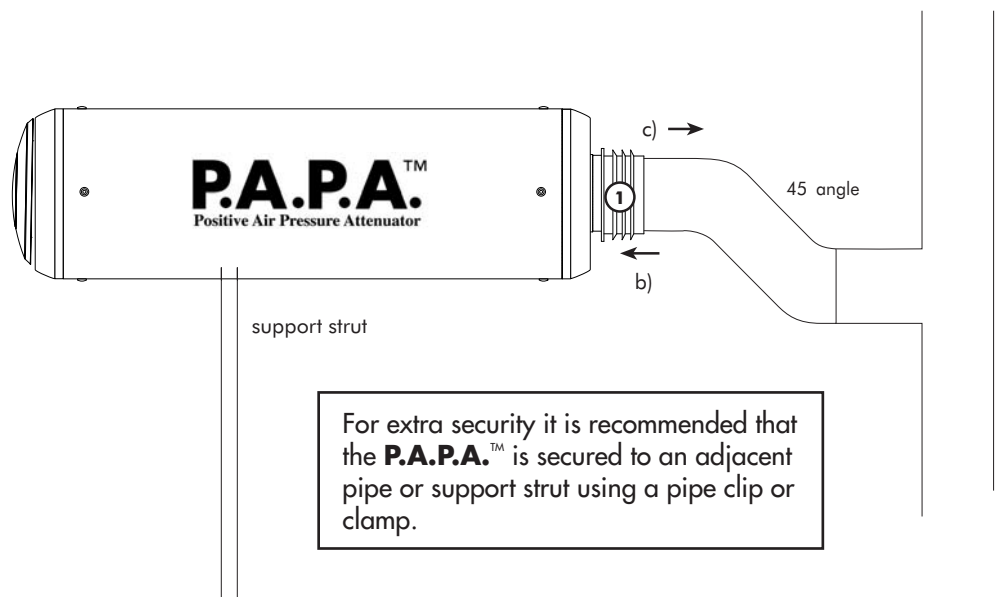


### III) Installation of the P.A.P.A.™ in series:

- up to four P.A.P.A.™s may be installed in series;
- ensure the rubber connector is securely fitted to the base of the bottom-most P.A.P.A.™;
- push-fit the rubber connector fitted to the base of this P.A.P.A.™ onto a 75mm or into a 110mm pipe connection;
- unscrew the cap on the top of this P.A.P.A.™
- remove the rubber connector fitted to the base of the next P.A.P.A.™ to be installed;
- fit O-ring to the male thread adapter;
- fit the male thread adapter to the base of this P.A.P.A.™ and glue into place sparingly using ABS solvent;
- wipe away any excess solvent;
- when the solvent has fully dried, screw the male thread adapter fitted to the base of this P.A.P.A.™ into the top of the bottom-most P.A.P.A.™;
- repeat steps d) to i) up to a MAXIMUM of four P.A.P.A.™s;
- ensure the cap of the top P.A.P.A.™ is securely screwed in, or replace with a Maxi-Vent™ as described in II) overleaf.

### IV) Installation of the P.A.P.A.™ horizontally:

- when a Maxi-Vent™ is NOT used the P.A.P.A.™ may be installed horizontally;
- ensure the rubber connector is securely fitted to the base of the P.A.P.A.™;
- push-fit the rubber connector fitted to the base of the P.A.P.A.™ onto a 75mm or into a 110mm 'T' pipe connection into the stack using a 45 degree 'T' joint on the stack and a 45 degree bend to place the P.A.P.A.™ into a horizontal position - this prevents water penetrating the unit.



For extra security it is recommended that the P.A.P.A.™ is secured to an adjacent pipe or support strut using a pipe clip or clamp.